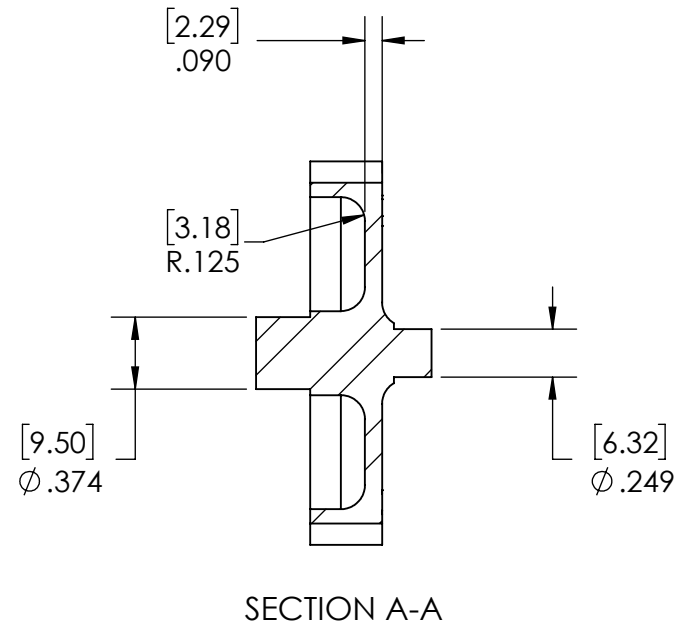
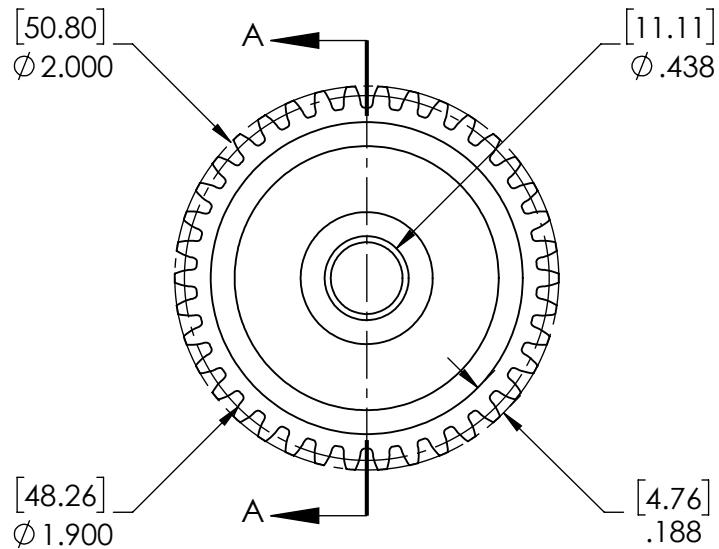


Part #	Tooth Count	Pitch Diameter (ref)	Outer Diameter	Material
WCP-1723	38	1.900	2.000	4140 Steel
WCP-1724	38	1.900	2.000	7075-T6 Aluminum
WCP-1725	27	1.350	1.450	4140 Steel
WCP-1726	27	1.350	1.450	7075-T6 Aluminum



Description		Swerve X2 Idler Gears	
Dwg No		Web-Swerve X2 Idler Gears	
Project		FIRST Robotics - FRC	Sheet 1 of 1
Release	10/25/2024	ALL DIMENSIONS ARE IN INCHES [MM].	

WWW.WCPRODUCTS.COM